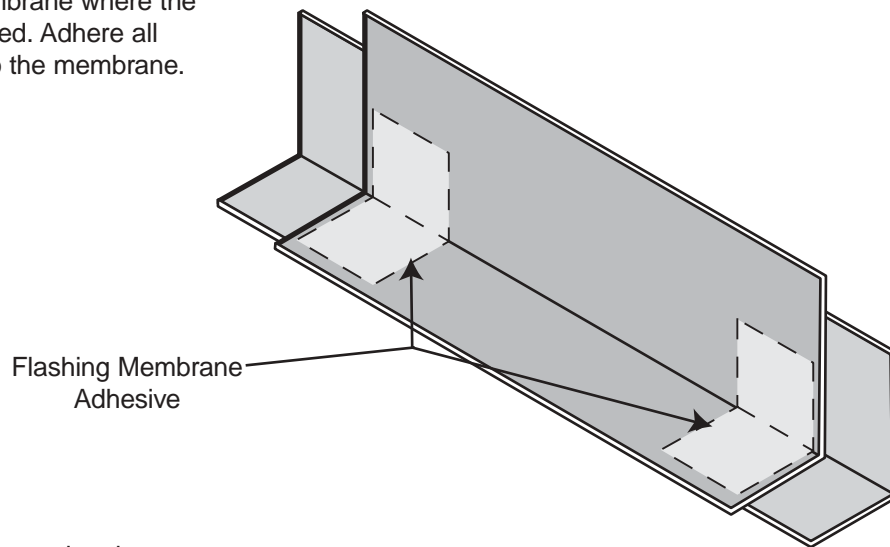




SURFACE MOUNTED CLOAKS

When construction requires that the Cloaks be adhered over the membrane, the following procedure should be followed. The Hyload membrane that the Cloaks are being mounted on must be clean and dry.

- 1. Apply Hyload Flashing Membrane adhesive** to the membrane where the cloak is to be mounted. Adhere all sides of the Cloak to the membrane.



- 2. Mount** the cloak on and to the membrane. Use firm hand pressure to assure a secure attachment.

